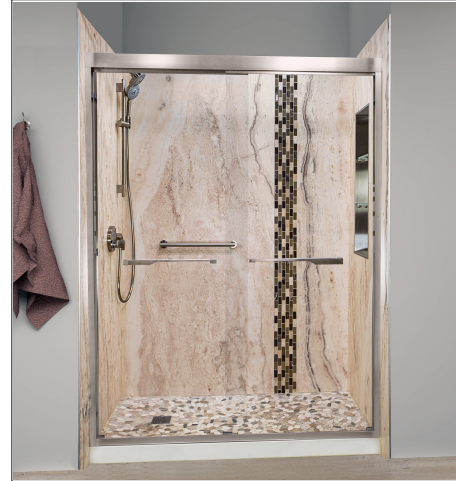


FEATURES

- Single threshold for alcove installation.
- Low front threshold shower base for tile can be recessed into floor for even a lower threshold.
- Select from center drain or end drain location. For end drain location must order either LH or RH drain.
- Light weight SMC sheet molding compound material.
- Installation for new and existing construction.
- Integral 6" high tiling flange for a waterproof installation.
- Easy installation. Level with thinset mortar mix.
- Self supporting.
- Linear Drains can be used in this base.
- Includes shower drain.
- 5 Year Limited Residential Warranty / 3 Year Commercial Warranty.

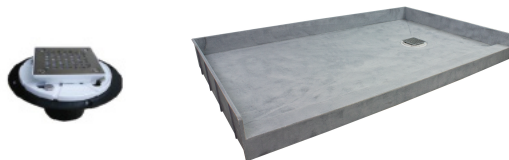


	Model	A	B	C	D	Wt.
<input type="checkbox"/>	FTT4940C	49"	40½"	18½"	22¾"	57.3
<input type="checkbox"/>	FTT6030C	60"	30"	13½"	16½"	44.1
<input type="checkbox"/>	FTT6032C	60"	32"	14½"	17½"	46.3
<input type="checkbox"/>	FTT6034C	60"	34"	15½"	18½"	48.5
<input type="checkbox"/>	FTT6036C	60"	36"	16½"	19½"	50.7
<input type="checkbox"/>	FTT6030R/L	60"	30"	13½"	16½"	44.1
<input type="checkbox"/>	FTT6032R/L	60"	32"	14½"	17½"	46.3
<input type="checkbox"/>	FTT6034R/L	60"	34"	15½"	18½"	48.5
<input type="checkbox"/>	FTT6036R/L	60"	36"	16½"	19½"	50.7

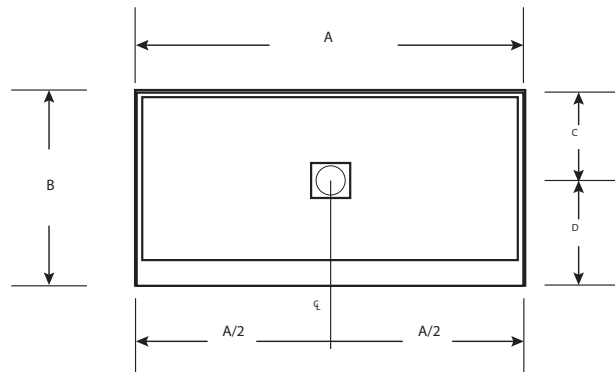
Center Drain Models



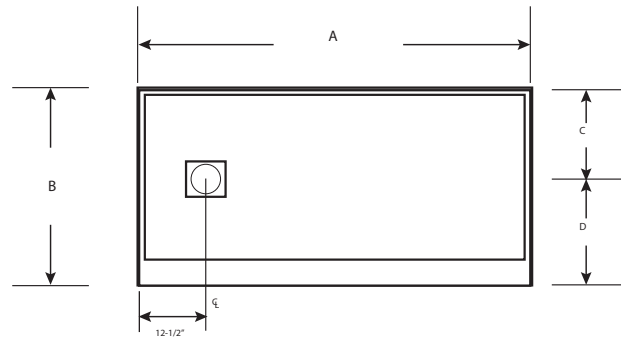
End Drain Models



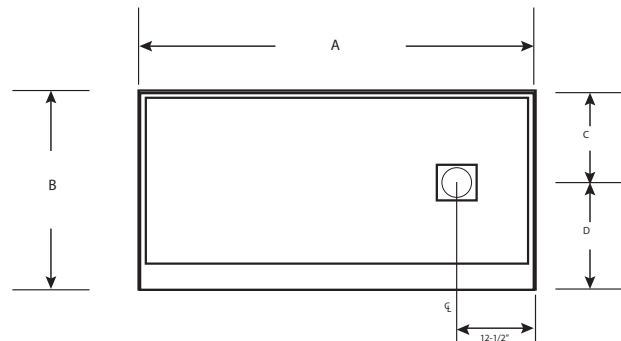
Center Drain Models



Left Drain Models



Right Drain Models



SHOWER BASES

Compliance Certifications

Meets or Exceeds the Following Specification

- IGC 154-2012
- ASME A112.18.1 / CSA B125.125.1-11
- IAPMO
- cUPC®